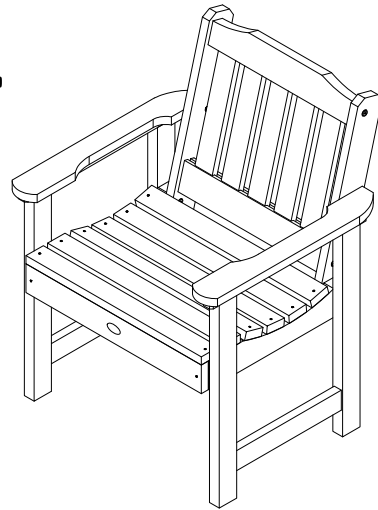


# Sequoia Professional Springville Lounge Chair

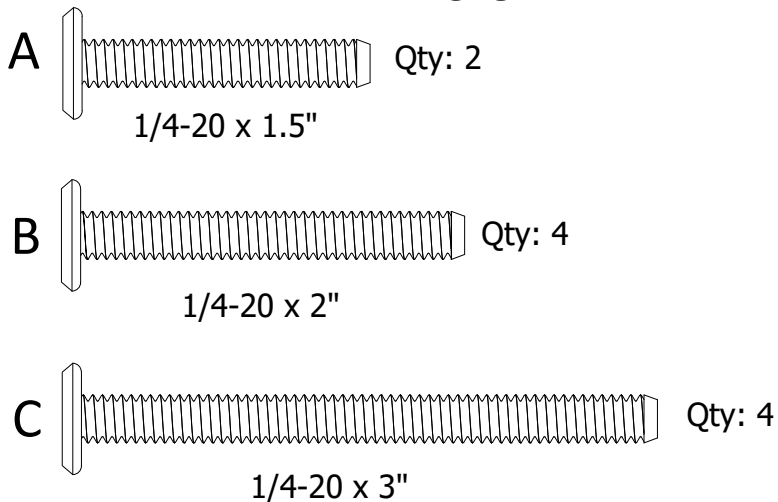
## Assembly Guide



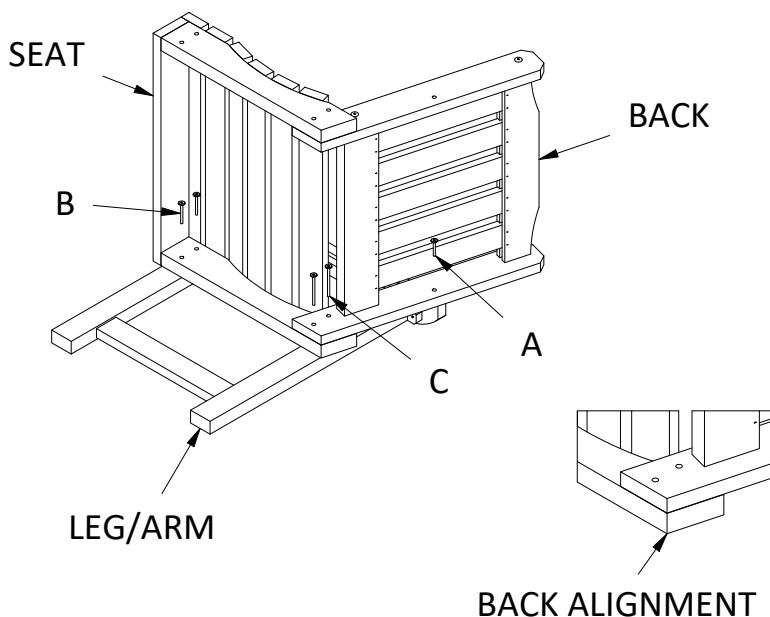
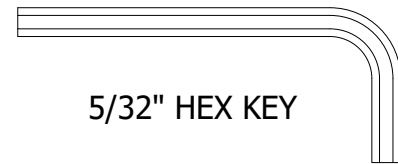
### IMPORTANT!

DO NOT fully tighten the bolts until all bolts are started.  
Once all bolts are inserted, go back & tighten all the bolts.

### HARDWARE INCLUDED



### TOOLS INCLUDED



**1)** Attach Seat to Leg/Arm using (2) B bolts and (2) C bolts.  
(Align Back as shown for C bolts)

**2)** Attach Back to Leg/Arm using (1) A bolt

**3)** Repeat on other Side.



SEQUOIA  
PROFESSIONAL  
by **highwood**

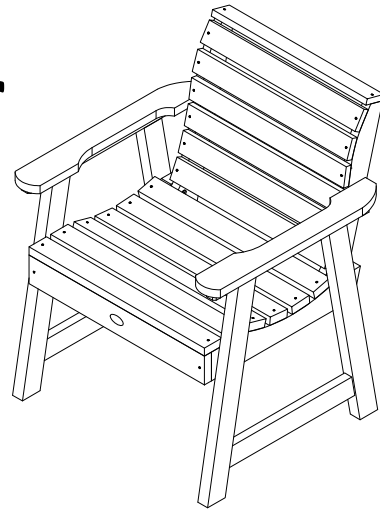
For information on Care and Cleaning or to Register your SEQUOIA PROFESSIONAL product by *highwood*<sup>®</sup>, please visit  
[www.highwood-usa.com](http://www.highwood-usa.com).

CM-CHGSQ01|CM-CHGSQ02  
04.30.21

PAGE 1 OF 2

# Sequoia Professional Glennville Lounge Chair

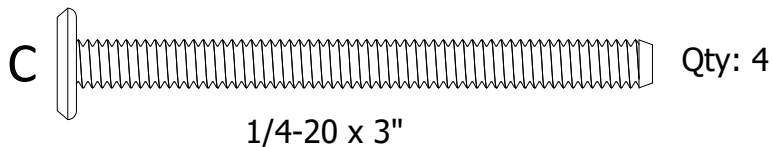
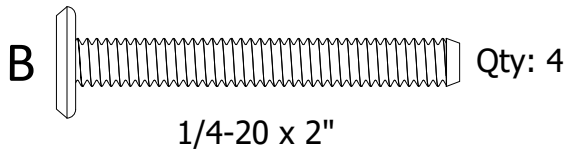
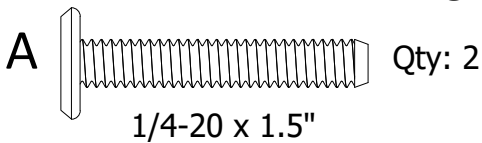
## Assembly Guide



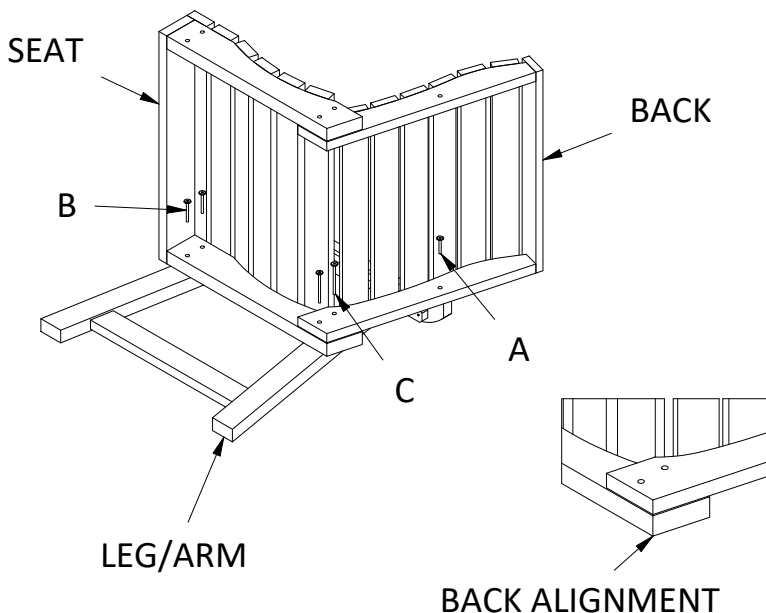
### IMPORTANT!

DO NOT fully tighten the bolts until all bolts are started.  
Once all bolts are inserted, go back & tighten all the bolts.

### HARDWARE INCLUDED



### TOOLS INCLUDED



**1)** Attach Seat to Leg/Arm using (2) B bolts and (2) C bolts.  
(Align Back as shown for C bolts)

**2)** Attach Back to Leg/Arm using (1) A bolt

**3)** Repeat on other Side.



SEQUOIA  
PROFESSIONAL  
by **highwood**

For information on Care and Cleaning or to Register your SEQUOIA PROFESSIONAL product by *highwood*<sup>®</sup>, please visit [www.highwood-usa.com](http://www.highwood-usa.com).

CM-CHGSQ01 | CM-CHGSQ02  
04.30.21